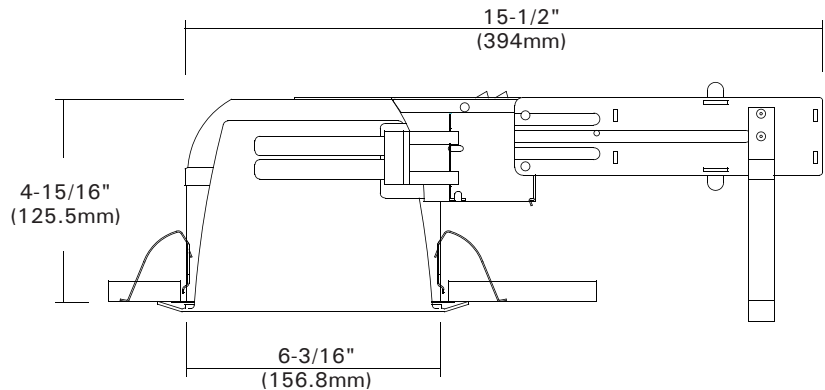


# DLF-606R

## 6"NON-IC Horizontal Remodel Housing For (2)26W DTT, (1)32W TTT Lamps

Catalog #		Type
Project		Date
Prepared by		

**FLUORESCENT**



### DESCRIPTION

The DLF-606R is a 6" aperture remodel housing for (1) or (2) horizontal CFL lamps.

### APPLICATION

The DLF-606R is designed for use in both non-insulated and insulated existing ceiling. Insulation material must be kept a minimum of 3" from all sides of the housing and can be installed from below the ceiling.

### DESIGN FEATURES

Ceiling Cut-out : 6-5/8"  
Lamp, Max, Watt. : (2)26W, (1)32W

#### ◦ Housing

- Galvanized steel housing painted white
- 4-7/8" height allows use in 2" x 6" joist construction.
- Housing adjusts for ceilings up to 1/2" thick.

#### ◦ Junction Box

- Listed for through branch circuit wiring. (Max. 8 No 12 AWG 90°C branch circuit conductors. (4 in, 4 out)
- (5) 1/2" knockouts with true pry-out slots and (4) knockouts with Romex cable clamp.
- Ground wire provided on J-box.

#### ◦ Reflector

- Anodized clear, gold, champagne, pewter color finished full reflectors. And anodized reflectors with black or white milled groove baffle collar.

#### ◦ Trim

- White plastic ring or plated chrome, satin nickel, polished brass, natural steel color ring.

#### ◦ Socket

- G24Q/GX24Q socket for use 4 pin DTT, TTT lamps.

#### ◦ Remodel Clips

- 4 remodel clips secure housing and accommodates 1/2" and 5/8" ceiling materials.

#### ◦ Lamp

- Compact Fluorescent lamps.
  - \* DTT-Double twin tube (Quad/CFQ)
    - (2) 13W DTT (4 pin)
    - (2) 18W DTT (4 pin)
    - (2) 26W DTT (4 pin)
  - \* TTT-Triple Twin Tube (CFTR)
    - (1) 26W TTT (4 pin)
    - (1) 32W TTT (4 pin)

#### ◦ Ballast

- Class P Thermally protected by internal fuse (3 amp fast blow), Multi-volt electronic ballast or thermal cut-out switch in magnetic ballast.
- High Power Factor Multi-volt Electronic ballasts for 4 pin type compact fluorescent lamps or Magnetic ballast for 2 pin lamps mounted on J-box door for easy access from inside of fixture.

#### \* Listing

- UL, c-UL listed for damp location.
- UL, c-UL listed for feed through.

#### ◦ Optional "Quick Connect" Push-in wire connectors.

- Three "Quick Connectors"
- Pre-installed push-in wire connectors fast and easy wiring.

### Ordering Information

Housing	Ballast	Lamp(s) Watt.	Option
DLF-606R	-N : 120V NPF Magnetic -H : 120V HPF Magnetic -NE : 120V NPF Electronic -HE : 120V HPF Electronic	-E : 120V/277V HPF Electronic  126 : (1)26W    213 : (2)13W 132 : (1)32W    218 : (2)18W 226 : (2)26W	-EM : Emergency w/ Remote Test Switch -C : Quick Connectors

Example : DLF-606R-NE126

# Trims

## 6" Compact Fluorescent Trims For

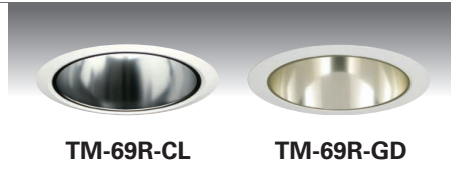
DLF-606, DLF-606R, DLF-6063, DLF-6063R, ICF-606AT

Catalog #		Type
Project		Date
Prepared by		

FLUORESCENT

### TM-69R

**Specular Reflector**  
**NON-IC : 2x26W DTT**  
**IC : 2x18W DTT**  
 White Plastic Trim Ring  
 O.D : 7-1/2"



### TM-654

**Wall Wash w/ Reflector**  
**NON-IC : 2x26W DTT**  
**IC : 2x18W DTT**  
 White Plastic Trim Ring  
 O.D : 7-1/4"



### TM-69RT

**Specular Reflector**  
**NON-IC : 1x32W TTT**  
**IC : 1x26W TTT, DTT**  
 White Plastic Trim Ring  
 O.D : 7-1/2"



**TM-659 (For TM-69R)**  
**TM-6593 (For TM-693R)**  
**Reflector w/ Cross Louver Blade**  
**NON-IC : 2x26W DTT, 1x32W TTT**  
**IC : 2x18W DTT, 1x32W TTT**  
 White Plastic Trim Ring  
 O.D : 7-1/2"



### TM-693R

**Specular Shallow Reflector**  
**DLF-6063 : 2x26W DTT**  
**DLF-6063R**  
 White Plastic Trim Ring  
 O.D : 7-1/2"



### TM-5/TM-5P

**Shower Fresnel Lens**  
**NON-IC : 2x26W DTT, 1x32W TTT**  
**IC : 2x18W DTT, 1x32W TTT**  
 White Metal Trim Ring  
 O.D : 8-1/8"  
 \*Symbol (P) is for Lexan Trim



### TM-61

**Baffle w/ Clear Reflector**  
**NON-IC : 2x26W DTT**  
**IC : 2x18W DTT**  
 White Plastic Trim Ring  
 O.D : 7-1/2"



### TM-6/TM-6P

**Shower Drop Opal Lens**  
**NON-IC : 2x26W DTT, 1x32W TTT**  
**IC : 2x18W DTT, 1x32W TTT**  
 White Metal Trim Ring  
 O.D : 8-1/8"  
 \*Symbol (P) is for Lexan Trim



### TM-61T

**Baffle w/ Clear Reflector**  
**NON-IC : 1x32W TTT**  
**IC : 1x26W TTT, DTT**  
 White Plastic Trim Ring  
 O.D : 7-1/2"



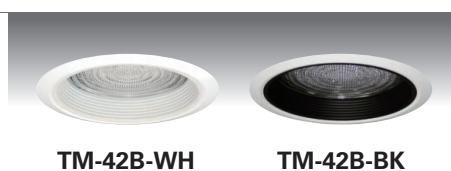
### TM-7/TM-7P

**Shower Albalite Lens**  
**NON-IC : 2x26W DTT, 1x32W TTT**  
**IC : 2x18W DTT, 1x32W TTT**  
 White Metal Trim Ring  
 O.D : 8-1/8"  
 \*Symbol (P) is for Lexan Trim



### TM-42B

**Baffle w/ Fresnel Lens**  
**NON-IC : 2x26W DTT, 1x32W TTT**  
**IC : 2x18W DTT, 1x32W TTT**  
 White Plastic Trim Ring  
 O.D : 7-1/2"



### TM-42R

**Reflector w/ Fresnel Lens**  
**NON-IC : 2x26W DTT, 1x32W TTT**  
**IC : 2x18W DTT, 1x32W TTT**  
 White Plastic Trim Ring  
 O.D : 7-1/2"



## ORDERING INFORMATION

Choose the catalog / finish codes that best suit your needs and enter it on the appropriate line.

TRIM MODEL	REFLECTOR	BAFFLE	METAL RING
	CL :Clear	WH :White	WH :White
	WH :White	BK :Black	BK :Black
	GD :Gold	SN :Satin Nickel	SN :Satin Nickel
	MA :Matte Platinum	AN :Antique Nickel	AN :Antique Nickel
	CP :Champagne	AC :Antique Copper	AC :Antique Copper
	PR :Pewter	MO :Mocha	MO :Mocha
	HC :Haze Clear	CA :Cappuccino	CA :Cappuccino
		CH :Chrome	CH :Chrome
		UN :Natural Steel	UN :Natural Steel
		PB :Polished Brass	PB :Polished Brass

Examples:

TM-69R-CL-WP = White Trim Ring w/ Clear Reflector  
 TM-42B-BK-WP = Fresnel Lens w/ Black Baffle  
 TM-61-WH-WP = White Baffle w/ Clear Reflector

◆ Available with metal rings (7-1/2" O.D).

◆ All trims are damp location, Lens trims are wet location listed.

### PLASTIC RING OPTIONS

WS :7-1/4" O.D (White)  
 WO :7-7/8" O.D (White)